

Inline-Compact • Ceramic • Chemical

Series SDN - Flow controller

DC 24 V
PNP output
Relay output
Analog output

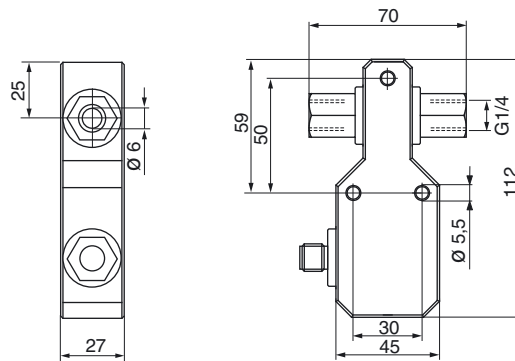
G1/4 thread • Ø6 mm

Ceramic measuring cell • Metal free

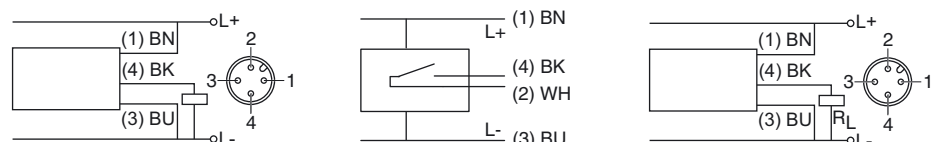


Design G1/4 • Ø6 mm

Dimensions



Detection range	[l/min]	0.005...3		
Working range	[l/min]	0.02...3		
Inner diameter	[mm]	6		
Maximum flow	[l/h]	300		
Output				
ID-No.		P11262*	P11275	P11263*
Type		SDN 506 GSP-CER	SDN 506 GR-CER	SDN 506 GA-CER
Switching current	[mA]	200	1000	-
Switching voltage	[V]	-	30 AC / 36 DC	-
Load R _L	[Ω]	-	-	200...500
Supply voltage	[V]	24 DC ±10%		
Current consumption	[mA]	< 50		
Ambient temperature	[°C]	0...+60		
Medium temperature	[°C]	0...+60		
Temperature gradient	[K/min]	400		
Start-up time	[s]	5...15		
Reaction time typ.	[s]	0.5...3		
Compressive strength	[bar]	5		
Display flow		LED-array		
Material		housing: PBT sensor: AL ₂ O ₃ / PTFE / FPM (different materials on request)		
Protection	[EN 60529]	IP 67		
Connection		M12 connector		



Accessories connecting cable type SLG, SLW, SBG, SBW, see page 1.78